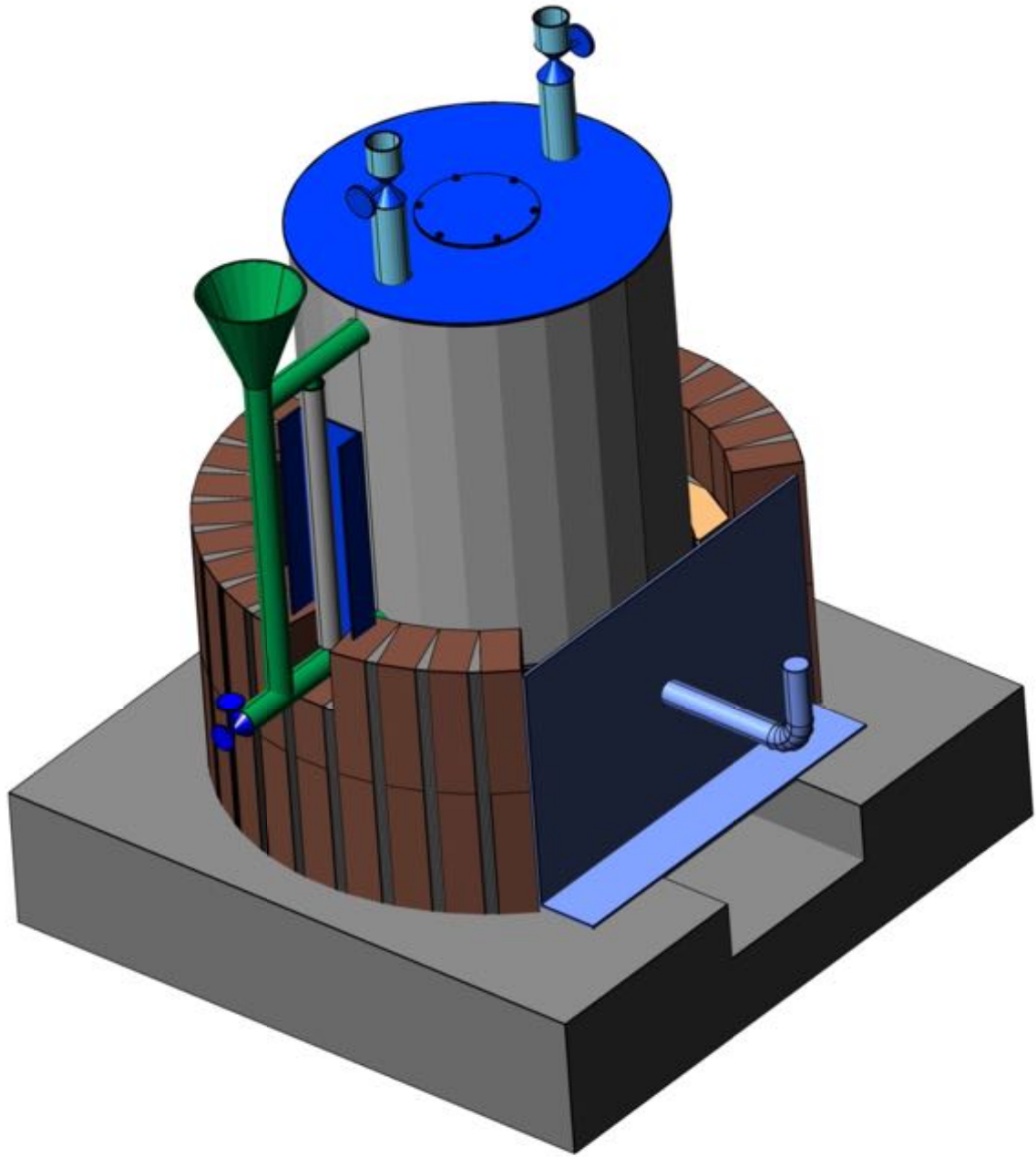




RevNo	Revision note	Date	Designed	Checked	Approved
1	Dimensions modified because of boiler change	11/09/07	D. Marra	E. Arato	Pongiglione

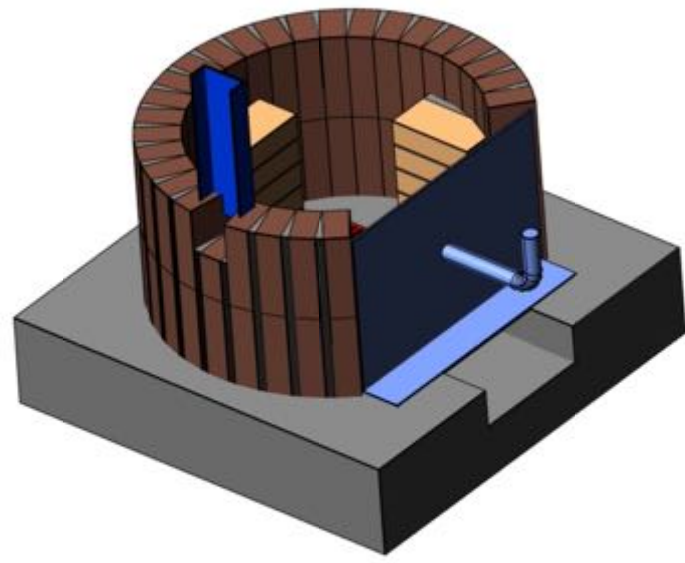
3D VIEW (WITH BOILER INSERTED)



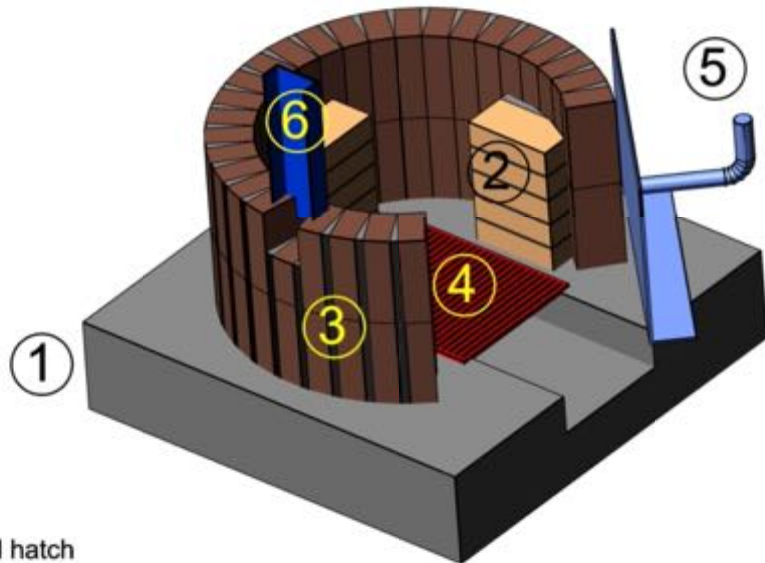
Itemref	Quantity	Title/Name, designation, material, dimension etc		Article No./Reference	
Designed by A. Carrea	Checked by E. Arato	Approved by - date Pongiglione - 18/06/07	File name Fornace Rv1	Date 15/06/07	Scale N/A
		FURNACE		Edition 0	Sheet 1/6
		012-01-01-FNC-DGC			

RevNo	Revision note	Date	Designed	Checked	Approved
1	Dimensions modified because of boiler change	11/09/07	D. Marra	E. Arato	Pongiglione

3D VIEW (WITHOUT BOILER)





View with hatch in place



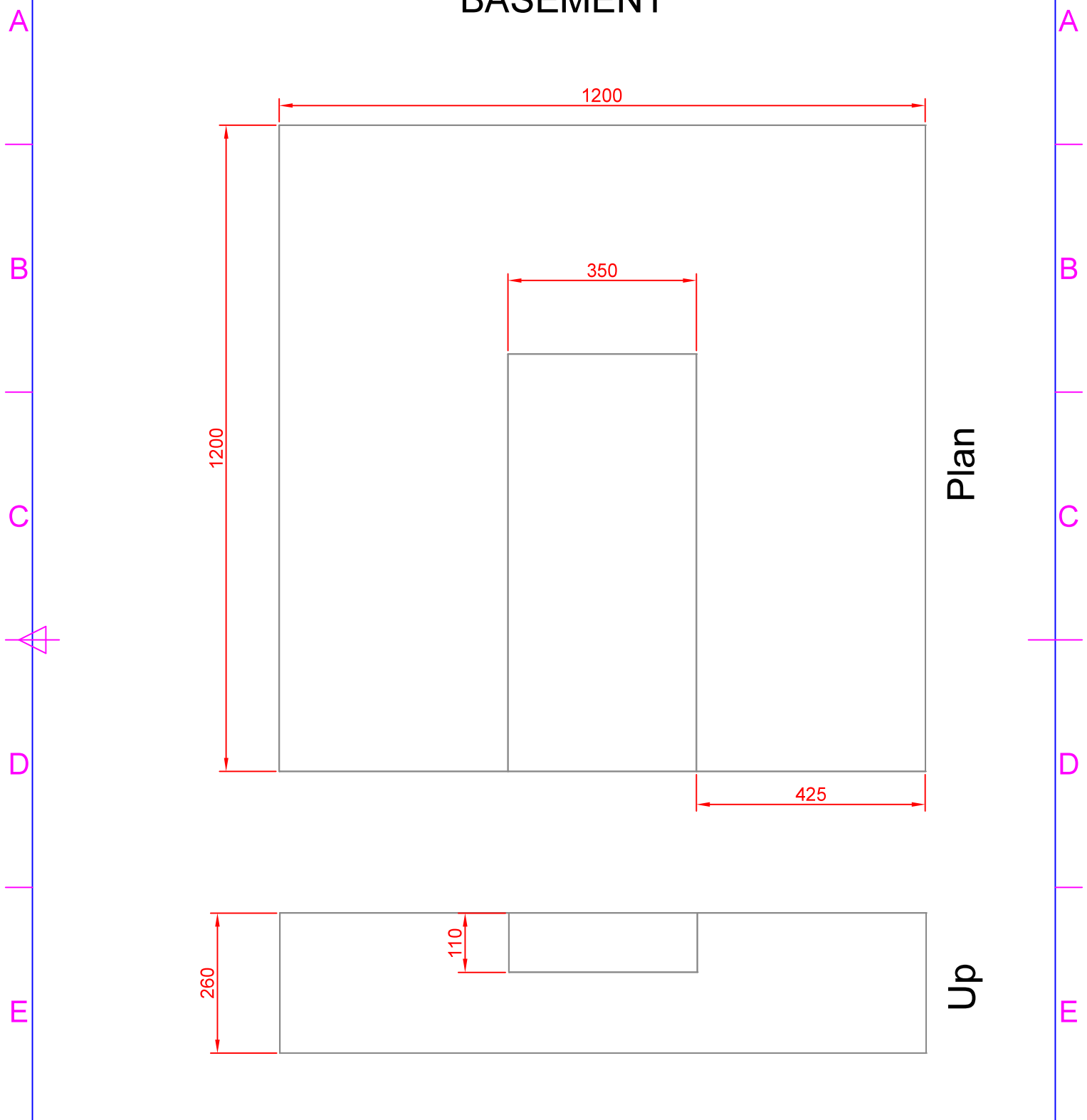
View with displaced hatch

N° Item	Description	See sheet
1	Basement	3
2	Boiler support bricks	4
3	Fire containment bricks	5
4	Wood support grid	
5	Hatch	
6	Level gauge protection	

Itemref	Quantity	Title/Name, designation, material, dimension etc		Article No./Reference		
Designed by A. Carrea	Checked by E. Arato	Approved by - date Pongiglione - 18/06/07	File name Fornace Rv1	Date 15/06/07	Scale N/A	
		FURNACE			Edition 0	Sheet 2/6
		012-01-01-FNC-DGC				

RevNo	Revision note	Date	Designed	Checked	Approved
1	Dimensions modified because of boiler change	11/09/07	D. Marra	E. Arato	Pongiglione

BASEMENT



Basementt be built with bricks resistant to high temperatures

Itemref	Quantity	Title/Name, designation, material, dimension etc		Article No./Reference	
Designed by A. Carrea	Checked by E. Arato	Approved by - date Pongiglione - 18/06/07	File name Fornace Rv1	Date 15/06/07	Scale 1:10



PS76
ONLUS



DICAT
UNIGE

FURNACE

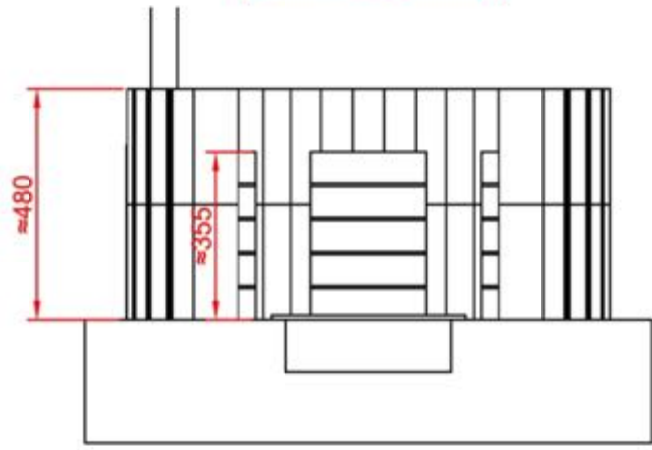
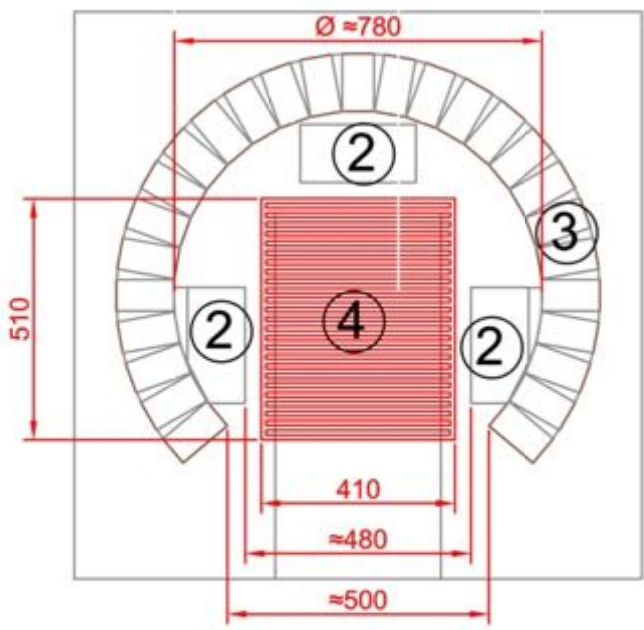
012-01-01-FNC-DGC

Edition 0	Sheet 3/6
--------------	--------------

1	2	3	4
RevNo	Revision note	Date	Designed
1	Dimensions modified because of boiler change	11/09/07	D. Marra
			Checked
			E. Arato
			Approved
			Pongiglione

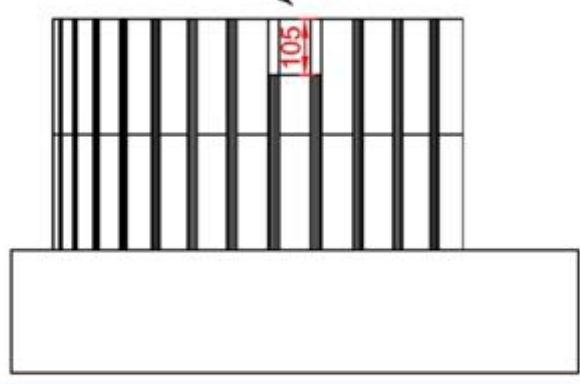
GRATE, BRICKS

Plan



Front view

Opening for housing the drainage tube



Side view

Item	Quantity	Description	Notes / Material
2	15	Bricks high temperature resistant	To be connected to each other and to the base and to the bricks 3 with refr. cement
3	54	Bricks high temperature resistant	As above
4	1	Perforated grate for combustion air	Cast iron or stainless steel

Itemref	Quantity	Title/Name, designation, material, dimension etc		Article No./Reference	
Designed by A. Carrea	Checked by E. Arato	Approved by - date Pongiglione - 18/06/07	File name Fornace Rv1	Date 15/06/07	Scale 1:16



PS76
ONLUS



DICAT
UNIGE

FURNACE

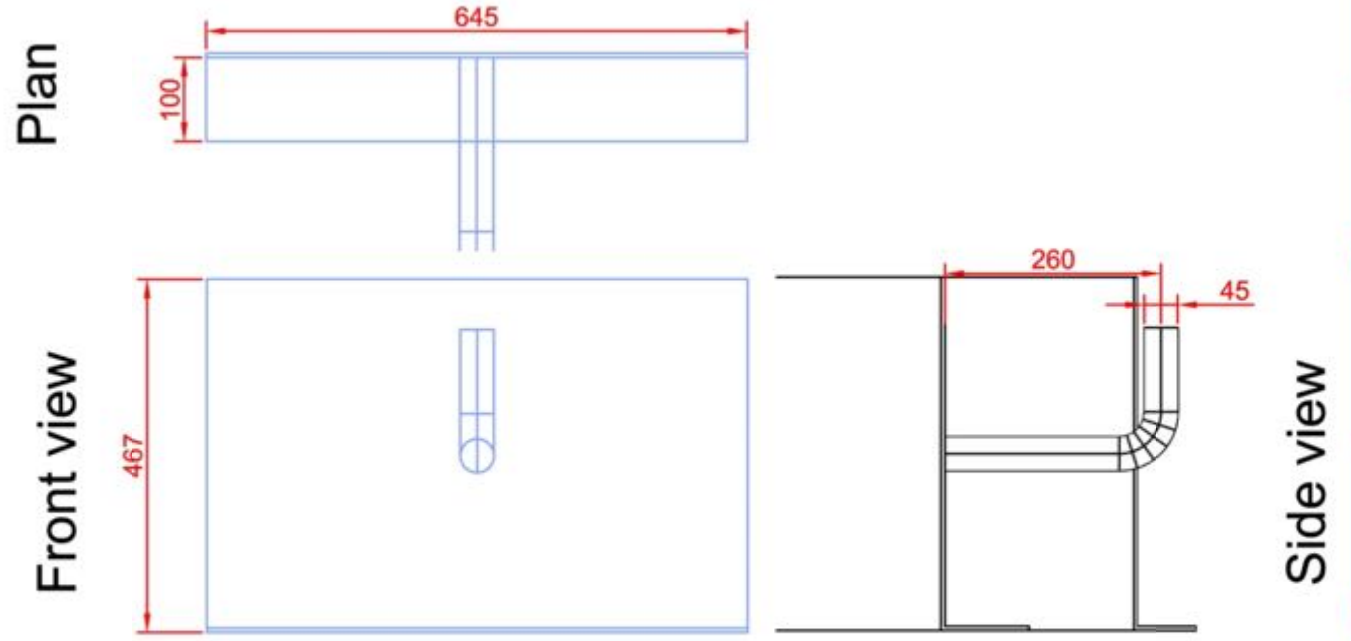
012-01-01-FNC-DGC

Edition
0

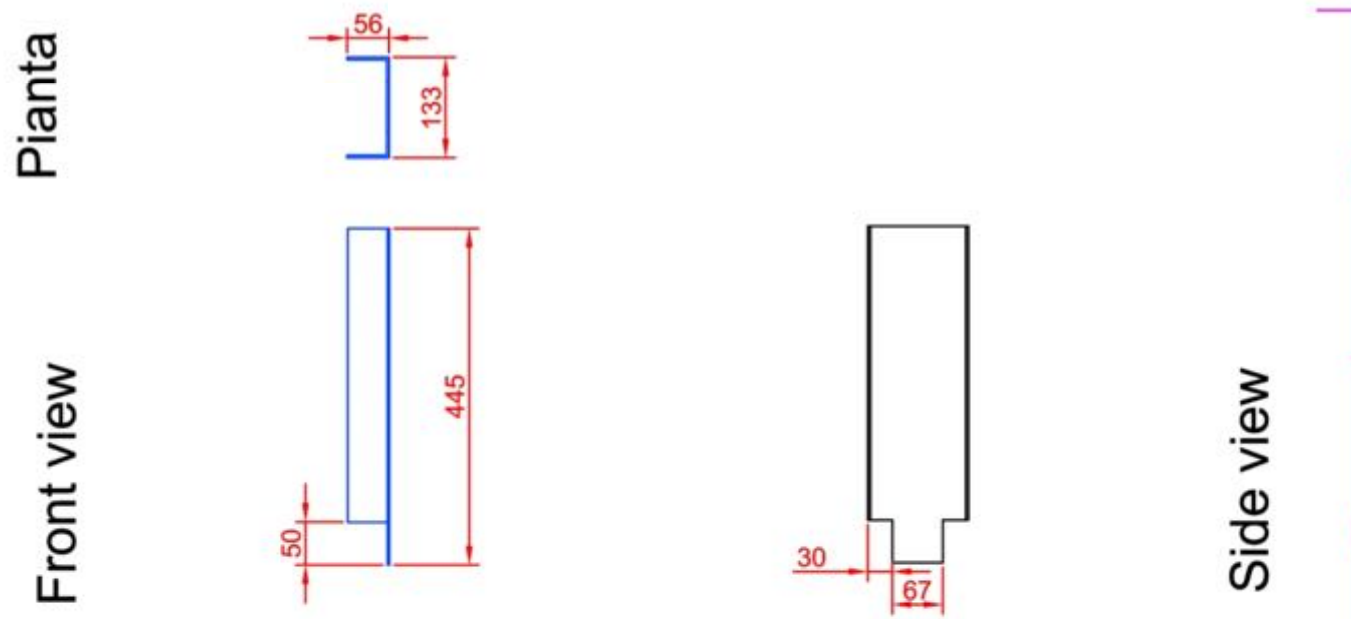
Sheet
4/6



RevNo	Revision note	Date	Designed	Checked	Approved
1	Dimensions modified because of boiler change	11/09/07	D. Marra	E. Arato	Pongiglione

HATCH



LEVEL GAUFE PROTECTION HATCH





Itemref	Quantity	Title/Name, designation, material, dimension etc		Article No./Reference	
Designed by A. Carrea	Checked by E. Arato	Approved by - date Pongiglione - 18/06/07	File name Fornace Rv1	Date 15/06/07	Scale 1:10
		FURNACE			Edition 0
		012-01-01-FNC-DGC			

RevNo	Revision note	Date	Designed	Checked	Approved
1	Modificate dimensioni per cambio generatore di vapore	11/09/07	D. Marra	E. Arato	Pongiglione

GENERAL NOTES

1. The dimensioning of the Furnace is based on the dimensions of the Steam Generator as per drawing 012-01-01-GDV-DGC rev. 1 and on dimensions of the refractory bricks equal to 122x45x67. If the aforementioned dimensions change, the sizing must be
2. The dimensions not indicated can be obtained on the basis of the scale of the individual sheets

Itemref	Quantity	Title/Name, designation, material, dimension etc			Article No./Reference	
Designed by A. Carrea	Checked by E. Arato	Approved by - date Pongiglione - 18/06/07	File name Fornace Rv1	Date 15/06/07	Scale N/A	
	PS76 ONLUS		FURNACE			
			012-01-01-FNC-DGC			Edition 0